

Technical data sheet

Type X3900b

3-piece ball valve

Handle with locking system

Applications and special features



- Casing and ball in stainless steel 316
- PTFE seal
- Full bore
- Butt welded connection
- ISO 5211 top connection
- Handle with locking system.

Technical description

DN	PFA/ PS bar	Cat				Cat	References	Vvs-nr
		L1	L2	G1	G2			
1/2	15	63	63	63	63	3.3	149B12086	
3/4	20	63	63	63	63	3.3	149B12087	
1	25	63	63	63	63	3.3	149B12088	
1 ^{1/4}	32	63	62	63	x	63	3.3	149B12089
1 ^{1/2}	40	63	50	63	x	25	3.3	149B12090
2	50	63	40	63	x	20	3.3	149B12091
2 ^{1/2}	65	40	30	40	x	15	3.3	149B12092
3	80	40	25	40	x	12	3.3	149B12093

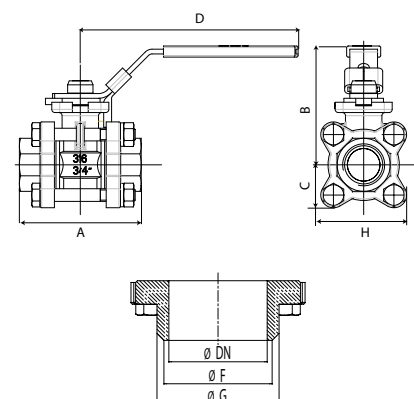
Important notice :

The indicated pressure for the different categories of fluids (L1/L2/G1/G2) is under no condition a guarantee of use. Therefore, it is essential to validate the use of products under given operating conditions.

- **Connection** : butt welded (butt welding)
- **Permissible operating pressure PFA - water** : see table
- **Maximum permissible pressure PS - other mediums** : see table
- **θ** : Mini. -20°C
Maxi. +100°C
- **Mediums** : neutral gas and liquids, viscosity up to 120 mm²/s
- **Approvals** : PED 97/23/CE
- **International construction Standards** :
 - CE Conformity Directive 97/23/CE

Overall dimensions

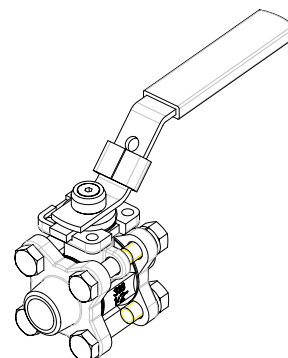
DN	A	B	C	D	H	øF	øG	Weight
"	mm	mm	mm	mm	mm	mm	mm	Kg
1/2	15	70	72	24	138	49	19	0,65
3/4	20	77	75	27	138	54	24,1	0,84
1	25	92	83	33	169	66	30	1,50
1 ^{1/4}	32	105	88	36	169	73	38	1,97
1 ^{1/2}	40	120	114	41	219	82	41,5	2,88
2	50	141	123	50	219	100	54,2	4,40
2 ^{1/2}	65	185	160	64	262	128	69	9,65
3	80	205	168	70	262	139	84	12,74



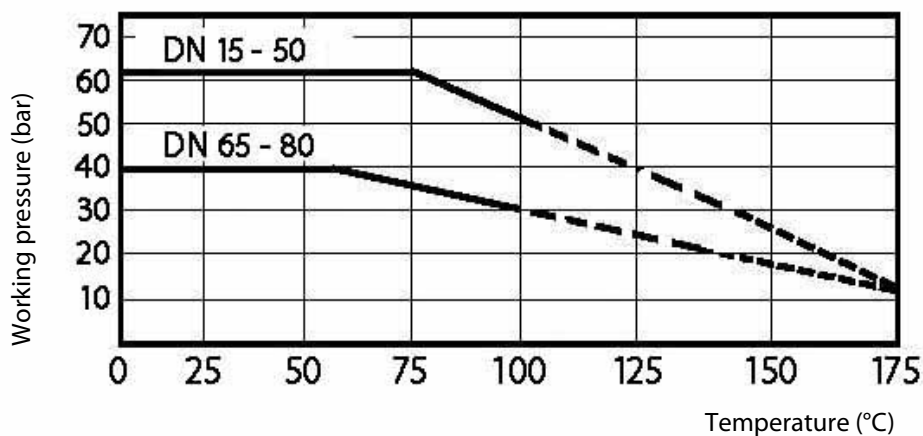
Technical data sheet **Type X3900b** - Ball valves - handle with locking system

Spare parts list and materials

Description	Materials	EURO	ANSI
CASING	Stainless steel	AISI 316	1.4408
BALL	Stainless steel	AISI 316	1.4408
SHAFT	Stainless steel	AISI 316	1.4401
BALL SEAL	PTFE		
SHAFT SEAL	DN 15-50 : PTFE+FKM DN 65-80 : PTFE		
HANDLE	Stainless steel		



Working principle



----- Please consult us

Socla can accept no responsibility for possible errors in catalogue, brochures and other printed material. Socla reserve the right to alter its products without notice. This also applies to products already agreed. All trademarks in this material are the property of the respective companies. All right reserved.

Socla SAS

365 rue du lieutenant Putier
71530 VIREY LE GRAND
Postal address : BP 10273
71107 CHALON SUR SAONE Cedex

Tel : 33 3 85 97 42 52
Fax : 33 3 85 97 97 42
<http://www.socla.com>
e-mail: commerfr@socla.com