

Technical data sheet

Type 402RR

Non-return valve

System 02

Applications and special features



- Operates in any position
- Minimum head loss
- Silent, reliable sealing, compact
- Exceptional robustness
- Does not generate hammering
- Closing system in stainless steel : long back axial guiding for reduced displacement
- Sealing guaranteed by a flat seal
- Return spring
- Internal/external polyamid coated

Technical description

#	DN mm	PN	PFA in bar	PS in bar				Cat.	References	Vvs-nr
				L1	L2	G1	G2			
1 ^{1/2}	40	10/16	16	16	16	16	16	I	149B 2281 RR	
2	50	10/16	16	16	16	16	16	I	149B 2282 RR	
2 ^{1/2}	65	10/16	16	16	16	15	16	I	149B 2283 RR	
3	80	10/16	16	16	16	12	16	I	149B 2284 RR	
4	100	10/16	16	16	16	10	16	I	149B 2285 RR	
5	125	10/16	16	16	16	0,5	16	I	149B 2226 RR	
6	150	10/16	16	13	16	0,5	16	I	149B 2227 RR	
8	200	10	10	10	10	0,5	10	I	149B 2229 RR	
10	250	10	10	10	10	0,5	10	I	149B 2230 RR	
12	300	10	10	10	10	0,5	10	I	149B 2231 RR	
14	350	10	10	10	10	0,5	10	I	149B 2232 RR	
16	400	10	10	10	10	0,5	8	I	149B 2233 RR	
20	500	10	10	10	10	0,5	7	I	149B 2235 RR	

Important notice :

The indicated pressure for the different categories of fluids (L1/L2/G1/G2) is under no condition a guarantee of use. Therefore, it is essential to validate the use of products under given operating conditions.

- Connection : flanges drilled PN : see table
- Permissible operating pressure PFA - water- (for supply, distribution and disposal of water) : see table
- Maximum permissible pressure PS - other mediums: See table

• θ : Mini. -10 °C
Maxi. 80 °C

• Mediums : clear liquids, gas

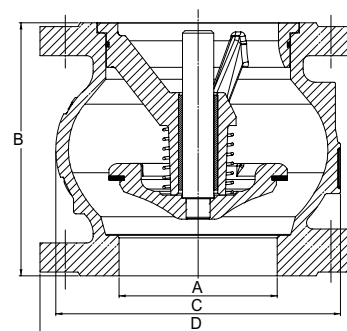
• Approvals : ACS CE PED 97/23/CE

• Other approvals available : **kiwa** : Consult us

• International construction Standards :
CE Conformity Directive 97/23/CE
Flange drilling according to EN1092-2

Overall dimensions

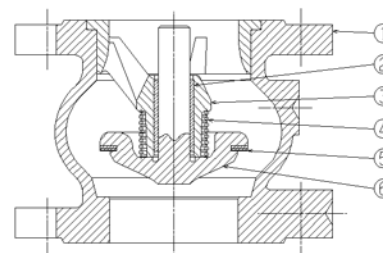
DN	B	C	D	Weight
#	mm	mm	mm	kg
1 ^{1/2}	40	85	80	4,2
2	50	100	97	5,8
2 ^{1/2}	65	120	125	8,1
3	80	140	150	10,2
4	100	170	187	14,5
5	125	200	220	24
6	150	230	260	32
8	200	288	340	53
10	250	354	420	94
12	300	395	490	140
14	350	472	586	225
16	400	560	680	312
20	500	750	880	540



Technical data sheet Type 402RR - Non-return valve

Spare parts list and materials

Nb	Description	Materials	EURO	ANSI
1	CASING	Cast iron/Rilsan	EN 1561 EN-GJL-250	ASTM A 48 35 B
2	RING	Stainless steel	EN 10088-3 X5CrNi18-10	AISI 304
3	GUIDE DN50	Bronze	EN 1982 CuSn5Zn5Pb2-C GS	
	Other DN	Cast iron/Rilsan	EN 1561 EN-GJL-250	ASTM A 48 35 B
4	SPRING	Stainless steel	EN 10270-3 X10CrNi18-8	AISI 302
5	SEAL	EPDM		
6	CLOSING SYST + STEM DN40 DN50-500	Inox	EN 10088-3 X5CrNi18-10 EN 10213 GX5CrNi19-10+AT	AISI 304

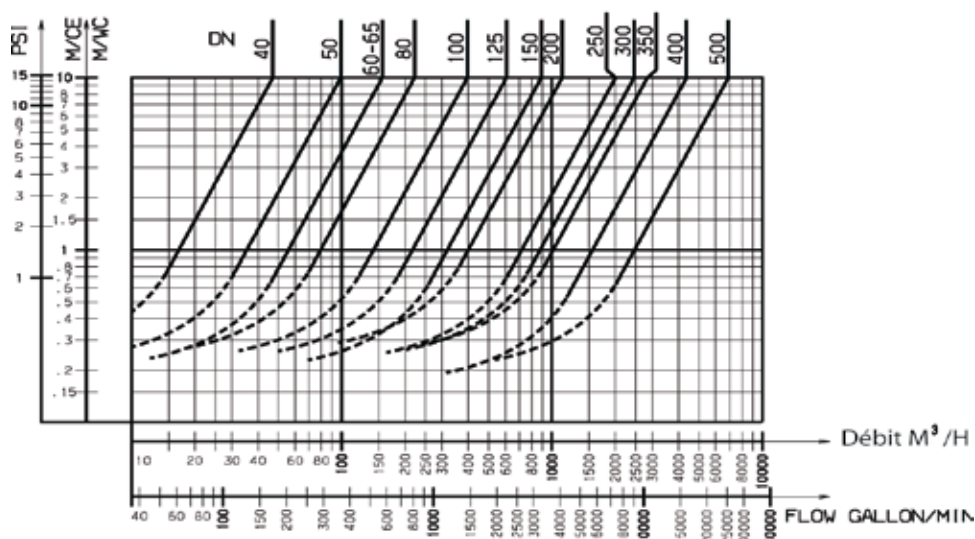


Working principle

"	DN	Opening pressure in mm/WC				Kv m ³ /H	ζ
		↑	↓	↔	Without spring		
1 1/2	40	440	210	320	120	47,00	1,80
2	50	440	220	330	110	99,00	1,00
2 1/2	65	450	190	320	130	159,00	1,10
3	80	450	190	320	130	222,00	1,30
4	100	500	240	370	130	396,00	1,00
5	125	510	210	360	150	619,00	1,00
6	150	550	210	380	170	890,00	1,00
8	200	590	210	400	190	1120,00	2,00
10	250	710	210	460	250	2010,00	1,50
12	300	820	90	460	365	2459,00	2,10
14	350	860	100	480	380	2843,00	2,90
16	400	800	50	410	390	4370,00	2,10
20	500	1030	0	430	580	6914,00	2,05

Direction for use :

- Solid line : Valve completely open
- Dotted line : opening stage of valve



Socla can accept no responsibility for possible errors in catalogue, brochures and other printed material. Socla reserve the right to alter its products without notice. This also applies to products already agreed. All trademarks in this material are the property of the respective companies. All right reserved.

Socla SAS

365 rue du lieutenant Putier
71530 VIREY LE GRAND
Postal address : CS 10273
71107 CHALON SUR SAONE Cedex

Tel : 33 3 85 97 42 52
Fax : 33 3 85 97 97 42
<http://www.socla.com>
e-mail: commerfr@socla.com