

Technical data sheet

Type 407V

Non return-valve System M

Applications and special features





- Operates in any position,
- Low head loss,
- Does not generate hammering, very silent
- Closing system : flexible membrane (thick elastomer disc) held in its center on a metal seat consisting of a grid (flow equivalent to the minimal section)
- Sealing ensured by self-closing membrane
- On membrane check valves, the opening regulated by the elasticity and the thickness of the membrane is very progressive and can be obtained as a result of a few centimeters of W/C. Because of this, this check valve is particularly suitable for variable flow pumps and pulsatory operation.

Technical description

DN "	PN mm	PFA in bar	PS in bar				Cat.	References	Vvs-nr
			L1	L2	G1	G2			
1 1/2	40	10/16	16	16	16	16	I	149B 1859	
2	50	10/16	16	16	16	16	I	149B 15239	
2 1/2	65	10/16	16	16	16	15	I	149B 1861	
3	80	10/16	16	16	16	12	I	149B 1832	
4	100	10/16	16	16	16	10	I	149B 1907	
5	125	10/16	16	16	16	0,5	I	149B 14916	
6	150	10/16	16	13	16	0,5	I	149B 14104	
8	200	10	10	10	10	0,5	I	149B 14922	

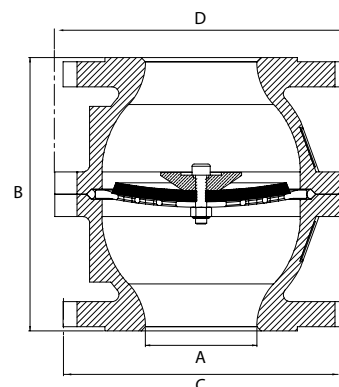
Important notice :

The indicated pressure for the different categories of fluids (L1/L2/G1/G2) is under no condition a guarantee of use. Therefore, it is essential to validate the use of products under given operating conditions.

- **Connection** : flanges drilled PN : see table
- **Permissible operating pressure PFA - water-** (for supply, distribution and disposal of water) : See table
- **Maximum Permissible pressure PS - other mediums:** See table
- **θ** Mini. -10 °C
Maxi. 100 °C
- **Mediums** : Clear liquids, hydrocarbons
- **Approvals** :  PED 97/23/CE 
- **International construction Standards** :
CE Conformity Directive 97/23/CE
Flange drilling according to EN1092-2

Overall dimensions

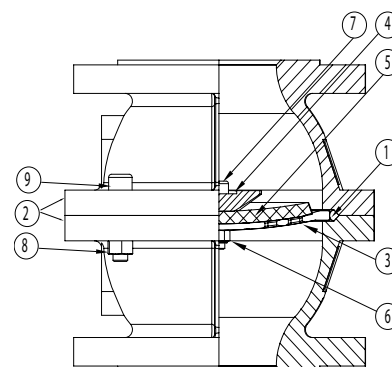
	A	B	C	D	Weight
"	mm	mm	mm	mm	kg
1 1/2	40	148	150	140	6,9
2	50	158	164	159	8,9
2 1/2	65	176	183	169	11,9
3	80	196	200	212	15,9
4	100	213	220	234	19,5
5	125	228	250	250	25,4
6	150	266	285	324	39,5
8	200	439	340	426	81,6



Technical data sheet Type 407V - Non-return valve

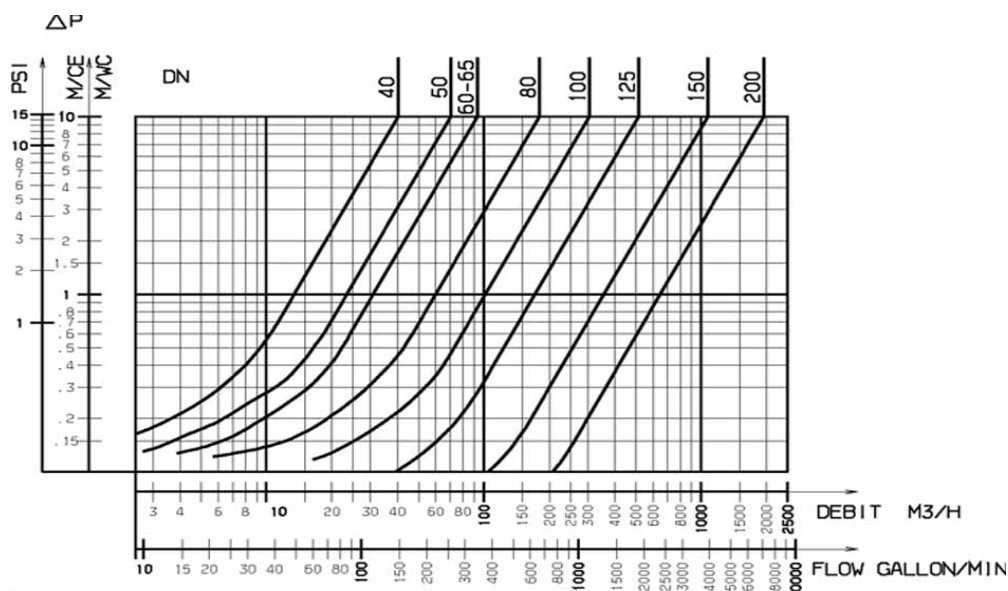
Spare parts list and materials

Nb	Description	Materials	EURO	ANSI
1	O-RING	FKM		
2	CASING	Cast iron + epoxy	EN-GJL-250	ASTM A 48 35 B
3	SEAT DN 40 - 80 DN 100 - 200	Stainless steel Polyamid coated steel		
4	CUPEL DN 40 to 65 DN 80 to 200	Stainless steel	X6Cr17	AISI 430
		Brass	CuZn39Pb3	
5	MEMBRANE	FKM		
6	BOLT	Stainless steel	X5Cr-Ni18-10	AISI 304
7	SCREW	Stainless steel	X5Cr-Ni18-10	AISI 304
8	BOLT	Galvanised steel		
9	SCREW	Stainless steel	X5Cr-Ni18-10	AISI 304



Working principle

DN		Opening pressure in mm/WC	Kv	ζ
#	mm			
1 ^{1/2}	40	Near 0	40,30	2,50
2	50		70,50	1,97
2 ^{1/2}	65		93,30	3,21
3	80		180,00	1,98
4	100		305,50	1,68
5	125		515,00	1,44
6	150		1072,00	0,70
8	200		1940,00	0,60



Socla can accept no responsibility for possible errors in catalogue, brochures and other printed material. Socla reserve the right to alter its products without notice. This also applies to products already agreed. All trademarks in this material are the property of the respective companies. All right reserved.

Socla SAS

365 rue du lieutenant Putier
71530 VIREY LE GRAND
Postal address : CS 10273
71107 CHALON SUR SAONE Cedex

Tel : 33 3 85 97 42 52
Fax : 33 3 85 97 97 42
<http://www.socla.com>
e-mail: commerfr@socla.com