

Technical data sheet

Type 402TTP

Non return valve
System 02

Applications and special features



- Operates in any position
- Minimum head loss
- Silent, reliable sealing, compact
- Exceptional robustness
- Does not generate hammering
- Closing system : long back axial guiding for reduced displacement
- Sealing guaranteed by a flat seal
- Return spring
- 2 threaded bosses 1/4" sealed with plugs
- Internal/external PTFE coated

Technical description

Important notice :

The indicated pressure for the different categories of fluids (L1/L2/G1/G2) is under no condition a guarantee of use. Therefore, it is essential to validate the use of products under given operating conditions.

DN "	mm	PN	PFA in bar	PS in bar				Cat.	References	Vvs-nr
				L1	L2	G1	G2			
2	50	10/16	16	16	16	16	16	I	149B 2853	
2 ^{1/2}	65	10/16	16	16	16	15	16	I	149B 2854	
3	80	10/16	16	16	16	12	16	I	149B 2855	
4	100	10/16	16	16	16	10	16	I	149B 2856	
5	125	10/16	16	16	16	0,5	16	I	149B 2857	
6	150	10/16	16	13	16	0,5	16	I	149B 2858	
8	200	10	10	10	10	0,5	10	I	149B 2859	
10	250	10	10	10	10	0,5	10	I	149B 2860	
12	300	10	10	10	10	0,5	10	I	149B 2861	
14	350	10	10	10	10	0,5	10	I	149B 2862	
16	400	10	10	10	10	0,5	8	I	149B 2863	

- Connection : flanges drilled PN : see table
- Permissible operating pressure PFA - water- (for supply, distribution and disposal of water) : See table
- Maximum permissible pressure PS - other mediums: See table

• θ : Mini. -10 °C
Maxi. 100 °C

• Mediums : clear water, gas

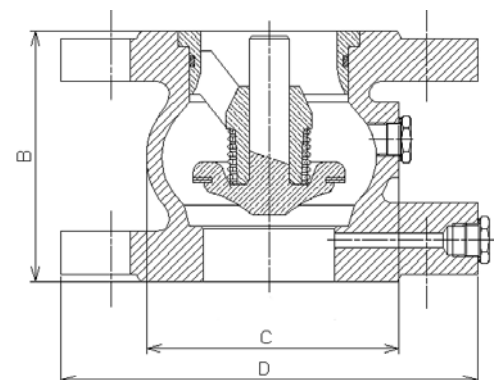
• Approvals : PED 97/23/CE

• Other approvals available : **kiwa** : Consult us

• International construction Standards :
CE Conformity Directive 97/23/CE
Flange drilling according to EN1092-2

Overall dimensions

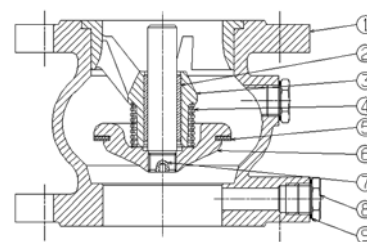
DN	B	C	D	Weight
"	mm	mm	mm	kg
2	50	100	97	5,8
2 ^{1/2}	65	120	125	8,1
3	80	140	150	10,2
4	100	170	187	14,5
5	125	200	220	24
6	150	230	250	32
8	200	288	340	53
10	250	354	420	94
12	300	395	490	140
14	350	472	586	225
16	400	560	680	312



Technical data sheet Type 402TTP - Non return valve

Spare parts list and materials

Nb	Description	Materials	EURO	ANSI
1	CASING	Cast iron + PTFE	EN-GJL-250	ASTM A 48 35 B
2	RING	Bronze	CuSn12-C	
3	GUIDE DN50	Bronze	CuSn5Zn5Pb5-C	ASTM B 505
	Other DN	Cast iron + PTFE	EN-GJL-250	ASTM A 48 35 B
4	SPRING	Stainless steel	X10CrNi18-8	AISI 302
5	SEAL	EPDM		
6	CLOSING SYSTEM DN50-65	Bronze	CuSn5Zn5Pb5-C	ASTM B 505
	Other DN	Cast iron + PTFE	EN-GJL-250	ASTM A 48 35 B
7	STEM	Bronze	CuSn5Zn5Pb5-C	ASTM B 505
8	PLUG	Brass	CuZn39Pb3	
9	SEAL	EPDM		



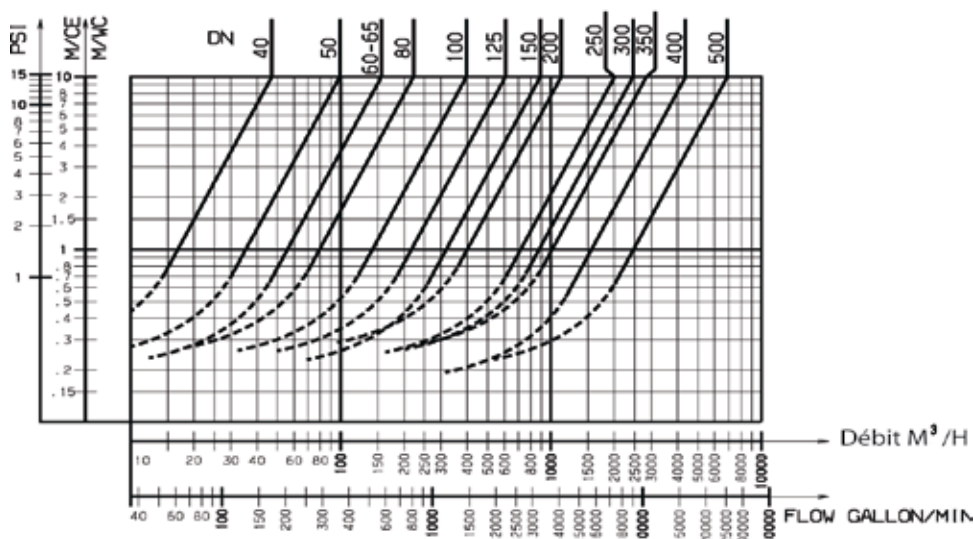
Working principle

DN		Opening pressure in mm/CE				Kv	ζ
"	mm	↑	↓	↔	Without spring m ³ /H		
2	50	440	220	330	110	99,00	1,00
2 ^{1/2}	65	450	190	320	130	159,00	1,10
3	80	450	190	320	130	222,00	1,30
4	100	500	240	370	130	396,00	1,00
5	125	510	210	360	150	619,00	1,00
6	150	550	210	380	170	890,00	1,00
8	200	590	210	400	190	1120,00	2,00
10	250	710	210	460	250	2010,00	1,50
12	300	820	90	460	365	2459,00	2,10
14	350	860	100	480	380	2843,00	2,90
16	400	800	50	410	390	4370,00	2,10

Direction for use :

- Solid line : Valve completely open
- Dotted line : opening stage of valve

ΔP



Socla can accept no responsibility for possible errors in catalogue, brochures and other printed material. Socla reserve the right to alter its products without notice. This also applies to products already agreed. All trademarks in this material are the property of the respective companies. All right reserved.

Socla SAS

365 rue du lieutenant Putier
71530 VIREY LE GRAND
Postal address : BP 10273
71107 CHALON SUR SAONE Cedex

Tel : 33 3 85 97 42 52
Fax : 33 3 85 97 97 42
<http://www.socla.com>
e-mail: commerfr@socla.com